

TSG – Traversing resharpening device for 40" to 60" working widths

The activating and grinding of high-performance metallic card clothing calls for high demands on the maintenance personnel. It is challenging, even for experts, to resharpen these fine clothing burr-free with conventional grinding equipment. The new pneumatic take-down from grinding/activation ensures an even better-controlled process and thus a perfect shape of the card clothing for the highest demands.



Technical data

- Motor rating: 0.09 kW
- Supply voltage: 230 V, 50/60 Hz, 1 phase
- Pressure of resharpening stone: 1 Newton
- Traversing speed cylinder: 6 m/min
- Traversing speed doffer: 1 m/min
- Total weight: 23 kg

Product details

- Traversing grinding head with stationary ceramic stone
- Pneumatic controlled grinding/activating pressure for easy handling
- Linear unit with drive motor and toothed belt for the traversing motion
- Two different traversing speeds for cylinder and doffer are preset and can be selected on the control box
- The traversing movements are monitored by a counter
- Easy and straightforward to operate even by unskilled personnel
- Maintenance-free grinding device
- CE conformity

Customer advantages

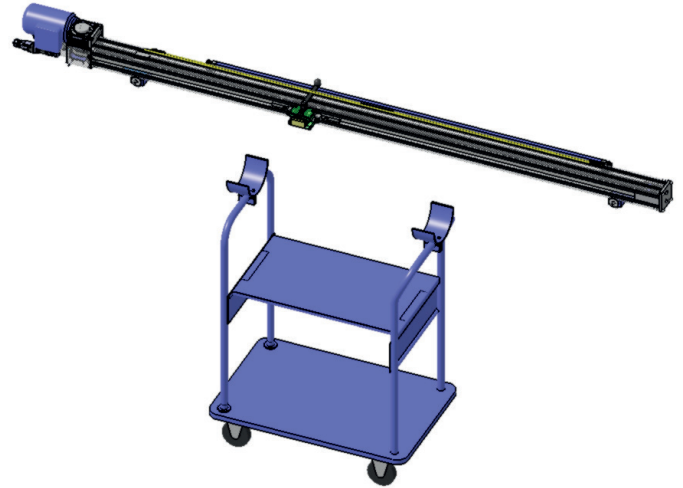
- Precisely defined grinding pressure by pneumatic pressure (prevents excessive grinding)
- Suitable for use on all high production and most conventional cards
- Burr-free activating of the tooth points of cylinder and doffer wires lead to optimum carding results
- Multiple resharpening of the clothing is possible since the abrasion is minute and controlled (extended lifetime)
- The tooth points are activated evenly across the entire width of the card

TSG – Traversing resharpening device for 40" to 60" working widths

Basic equipment

Item No 006041055

- TSG pneumatic
- Spare parts
- Various mounting tools
- Transport wagon
- Wear and tear parts for 2 - 3 years
- Card-specific adapters



Additional equipment, card specific

Card-specific adapters

Item No 006041056

- Adapters for cylinder
- Adapters for doffer (excl. C80)
- All additional card-specific parts



Please indicate power supply and exact card type when you order



Graf + Cie AG · Bildaustasse 6 · 8640 Rapperswil · Switzerland · Phone +41 55 221 71 11 · Fax +41 55 221 72 33 · info@graf-companies.com

www.graf-companies.com

