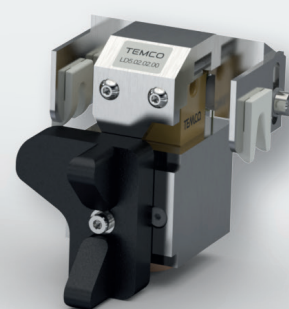
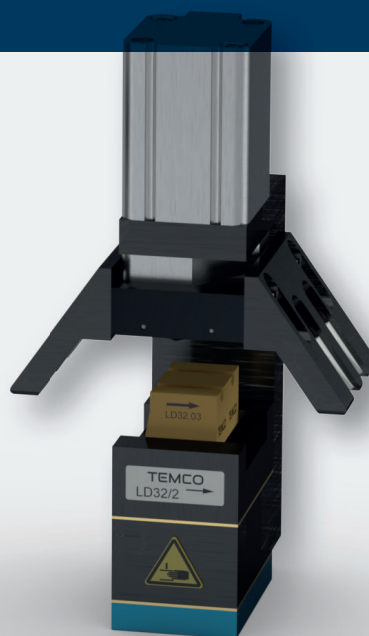


# Air Interlacing Jets

Types, sizes, surfaces

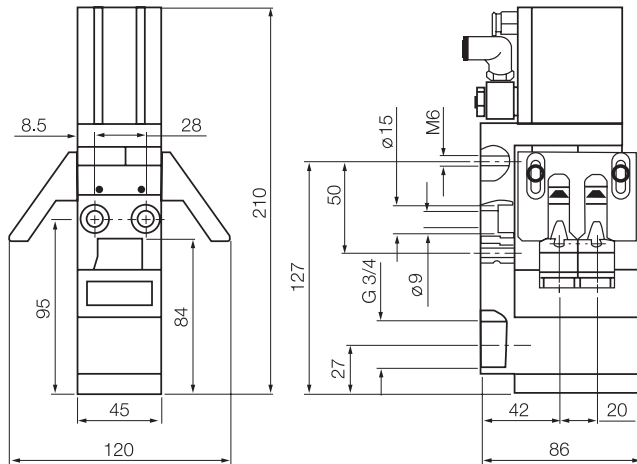


The right jet solution  
for each process

# Air Interlacing Jets LD32

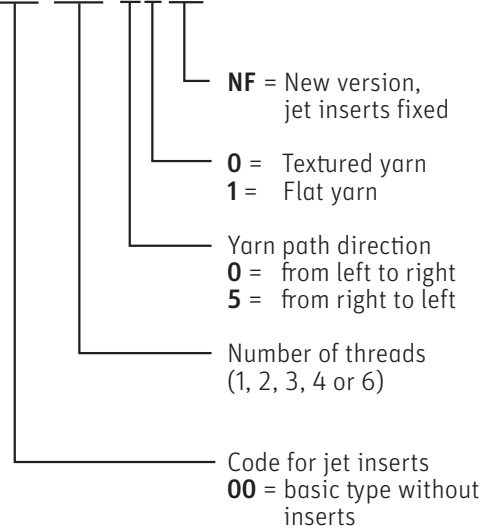
## Figures and overview

### Dimensions LD32



### Identification

**LD32.XX.XX.50NF**



### Jet inserts LD32

Type LD	Type LE	BCF		FDY / Glass fiber / CF	
		Typical Yarn Range dtex	Limits of Application dtex	Typical Yarn Range dtex	Limits of Application dtex
<b>Air interlacing jet LD32</b>					
Standard types					
<b>LD32.01</b>	LE11.05	300-1000	1000-1250	300-1250	1250-1500
<b>LD32.02</b>	LE11.06	600-1500	1500-1750	600-1750	1750-2000
<b>LD32.03</b>	LE11.07	1000-2250	2250-2500	1250-2500	2500-2750
<b>LD32.04</b>	LE11.08	1250-2750	2750-3000	1500-3250	3250-3500
<b>LD32.05</b>	LE11.09	1750-3500	3500-3750	2250-3750	3750-5000
<b>LD32.06</b>	LE11.33	2250-5000	5000-5500	2750-6000	6000-8000
<b>LD32.07</b>	LE11.34	2500-6000	6000-6500	3000-10000	10000-10250
<b>LD32.08**</b>	LE11.67	need to be tested	need to be tested	need to be tested	need to be tested
Special types					
<b>LD32.Y23B**</b>	LE11.Y23B	need to be tested	need to be tested	300-1250	1250-1500
<b>LD32.Y30B**</b>	LE11.Y30B	need to be tested	need to be tested	500-2250	2250-2500
<b>LD32.85/60**</b>	LE11.51	need to be tested	need to be tested	need to be tested	need to be tested
<b>LD32.85/66**</b>	LE11.52	need to be tested	need to be tested	need to be tested	need to be tested

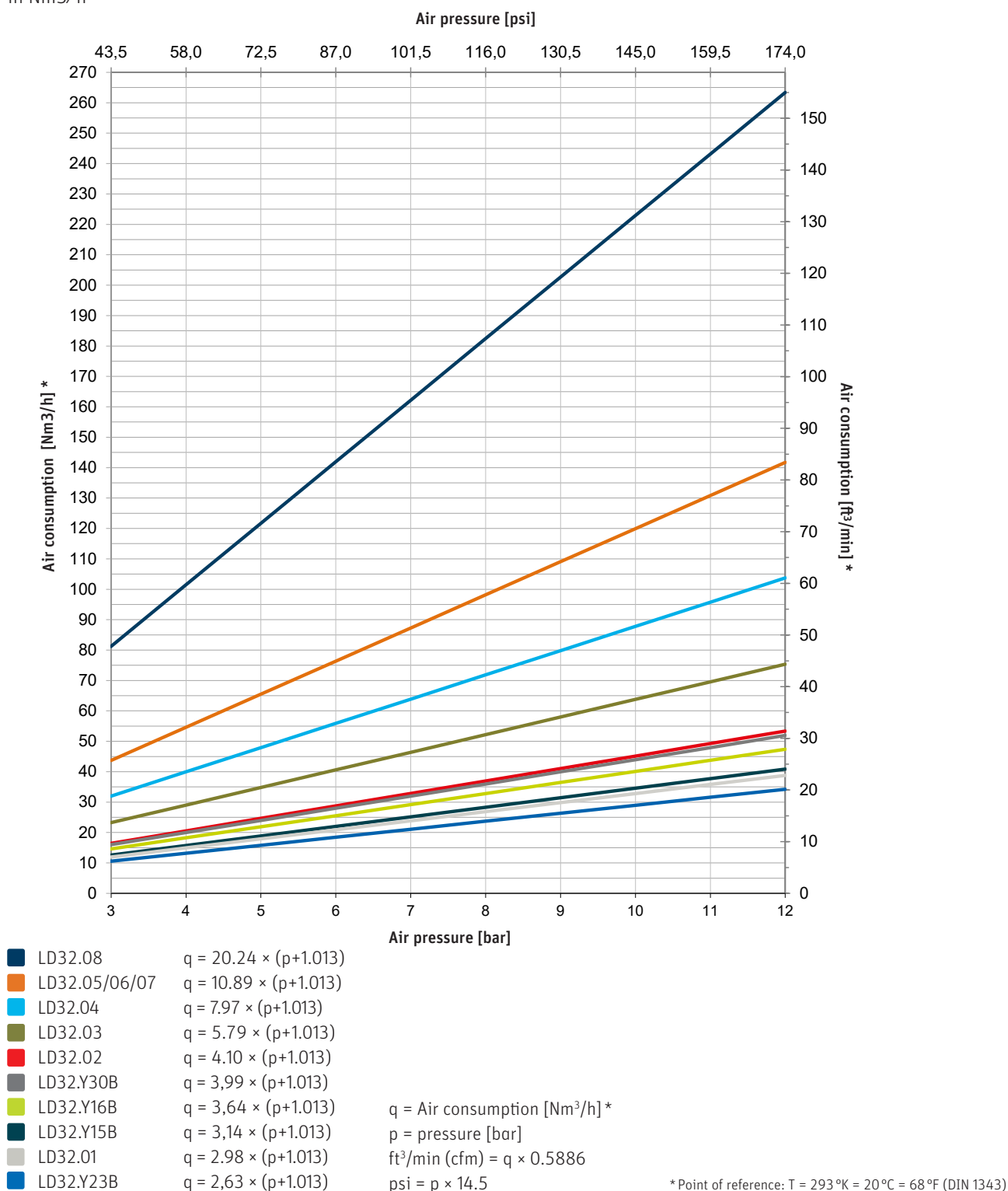
\* point of reference: T = 293 ° K = 20 ° C = 68 ° F (DIN 1343)

\*\* Please contact the Sales team

# Air Interlacing Jets LD32

## Air consumption diagram

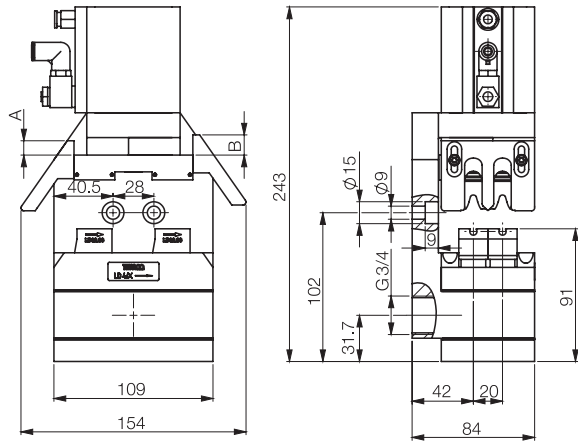
**Air consumption LD32 per yarn position**  
in Nm<sup>3</sup>/h\*



# Air Interlacing Jets LD4

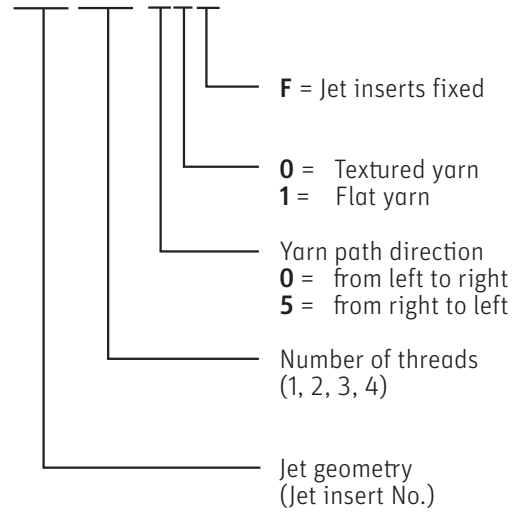
## Figures and overview

### Dimensions LD4



### Identification

LD4.XX.XX.50F



### Jet inserts LD4

Type LD	Type LE	BCF		FDY / Glass fiber / CF	
		Typical Yarn Range dtex	Limits of Application dtex	Typical Yarn Range dtex	Limits of Application dtex
<b>Air interlacing jet LD4</b>					
LD4.01	LE11.05	300-1000	1000-1250	300-1250	1250-1500
LD4.02	LE11.06	600-1500	1500-1750	500-2250	need to be tested
LD4.03	LE11.07	1000-2250	2250-2500	1250-2500	2500-2750
LD4.04	LE11.08	1250-2750	2750-3000	1500-3250	3250-3500
LD4.05	LE11.09	1750-3500	3500-3750	2250-3750	3750-5000
LD4.06	LE11.33	2250-5000	5000-5500	2750-6000	6000-8000
LD4.07	LE11.34	2500-6000	6000-6500	3000-10000	10000-10250
LD4.08	LE11.67	need to be tested	need to be tested	need to be tested	need to be tested

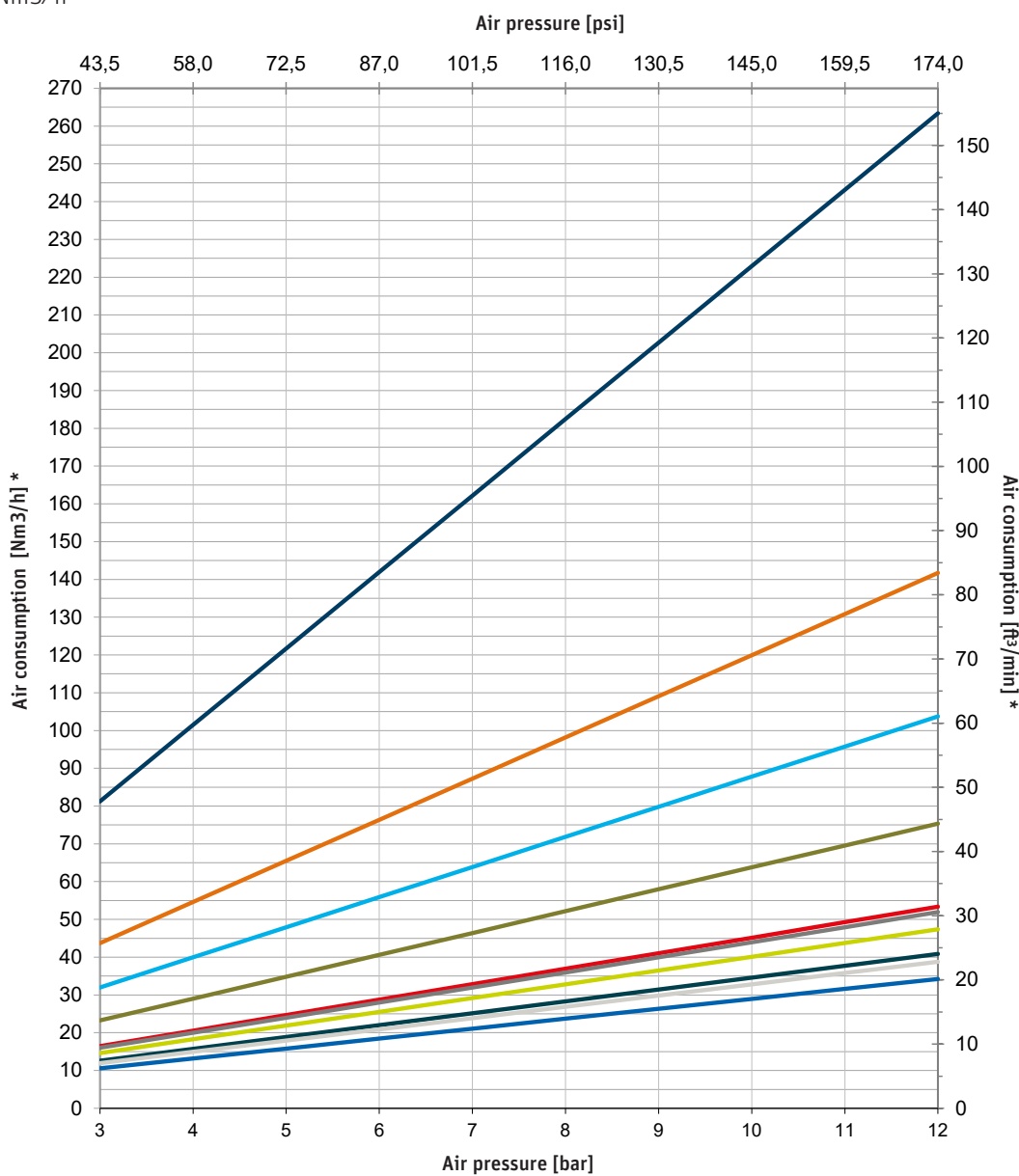
\* point of reference: T = 293° K = 20° C = 68° F (DIN 1343)

\*\* to be confirmed

# Air Interlacing Jets LD4

## Air consumption diagram

**Air consumption LD4 per yarn position**  
in Nm<sup>3</sup>/h\*



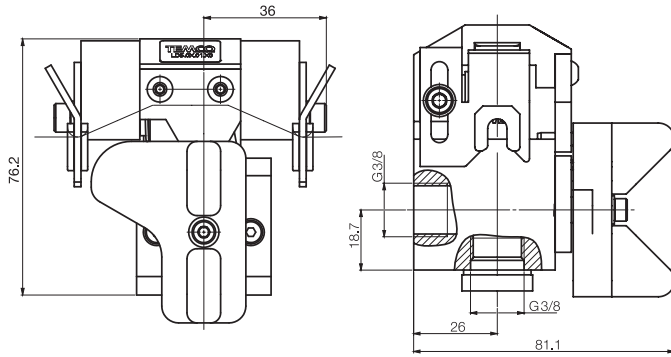
- LD4.08                     $q = 20.24 \times (p+1.013)$
  - LD4.05/06/07            $q = 10.89 \times (p+1.013)$
  - LD4.04                     $q = 7.97 \times (p+1.013)$
  - LD4.03                     $q = 5.79 \times (p+1.013)$
  - LD4.02                     $q = 4.10 \times (p+1.013)$
  - LD4.01                     $q = 3.99 \times (p+1.013)$
- $q$  = Air consumption [Nm<sup>3</sup>/h] \*  
 $p$  = pressure [bar]  
 $\text{ft}^3/\text{min (cfm)} = q \times 0.5886$   
 $\text{psi} = p \times 14.5$

\* Point of reference: T = 293 °K = 20 °C = 68 °F (DIN 1343)

# Air Interlacing Jets LD5

## Figures and overview

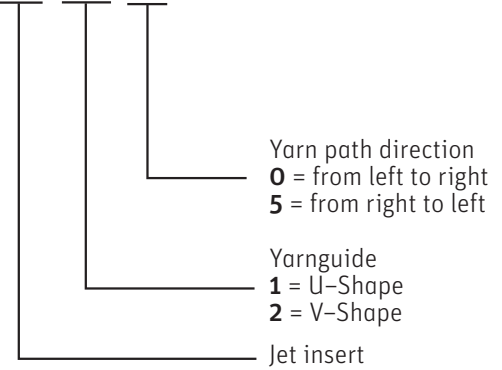
### Dimensions Tandem LD5



Height of Tangling Jet LD5 opened: 99.2 mm

### Identification

**LD5.XX.02.50**



### Jet inserts LD5

Type LD	Type LE	BCF		FDY / Glass fiber / CF	
		Typical Yarn Range dtex	Limits of Application dtex	Typical Yarn Range dtex	Limits of Application dtex
<b>Air interlacing jet LD5</b>					
LD5.01	LE11.26	300-1000	1000-1250	300-1250	1250-1500
LD5.02	LE11.27	600-1500	1500-1750	600-1750	1750-2000
LD5.03	LE11.28	1000-2250	2250-2500	1250-2500	2500-2750
LD5.04	LE11.29	1250-2750	2750-3000	1500-3250	3250-3500
LD5.05	LE11.30	1750-3500	3500-3750	2250-3750	3750-5000
LD5.06	LE11.31	2250-5000	5000-5500	2750-6000	6000-8000
LD5.07	LE11.32	2500-6000	6000-6500	3000-10000	10000-10250
<b>Special types</b>					
LD5.Y23/LD5**	LE11.Y23B	need to be tested	need to be tested	300-1250	1250-1500
LD32.Y30/LD5**	LE11.Y30B	need to be tested	need to be tested	500-2250	2250-2500

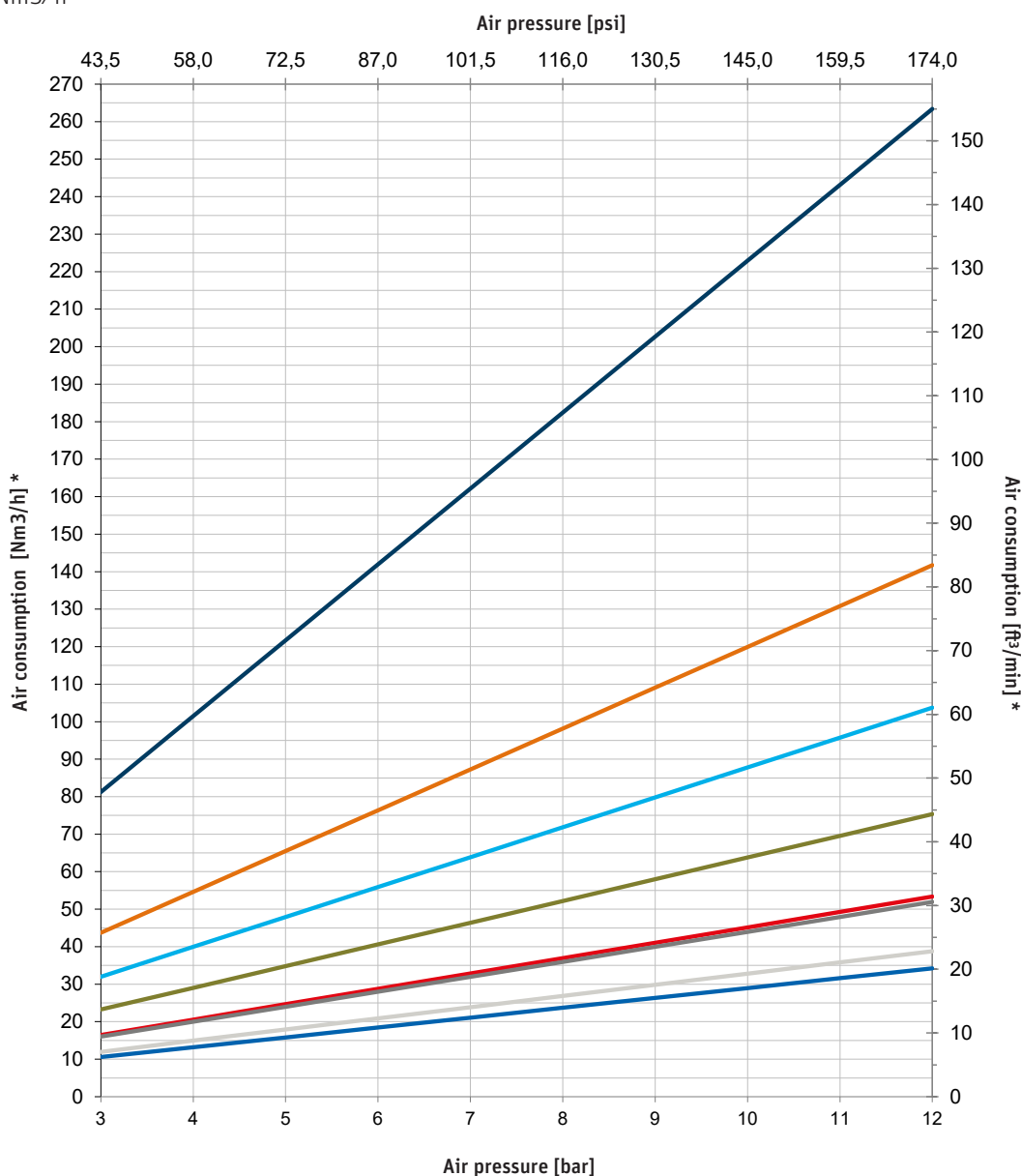
\* point of reference: T = 293° K = 20° C = 68° F (DIN 1343)

\*\* to be confirmed

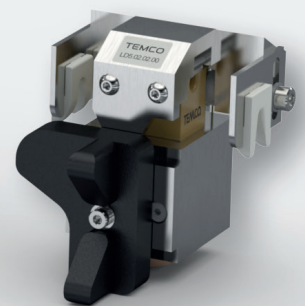
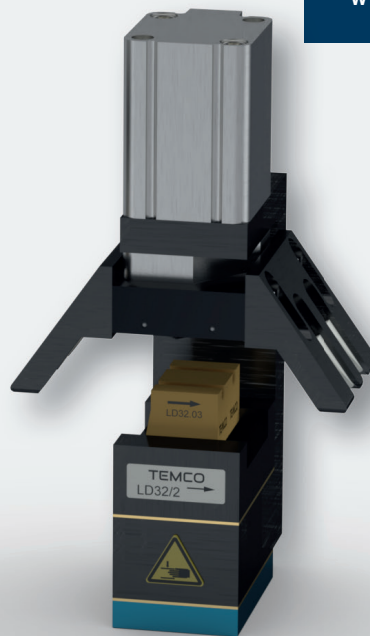
# Air Interlacing Jets LD5

## Air consumption diagram

**Air consumption LD5 per yarn position**  
in Nm<sup>3</sup>/h\*



\* Point of reference: T = 293 °K = 20 °C = 68 °F (DIN 1343)



Rieter Components Germany GmbH

Temco

Fuldaer Str. 19

97762 Hammelburg

T +49 9732 87 0

info@temco.de

[www.temco.de](http://www.temco.de)

The data and illustrations in this brochure and on the corresponding data carrier refer to the date of printing. Temco reserves the right to make any necessary changes at any time and without special notice. Temco systems and Temco innovations are protected by patents.

3506-v2 en 2408