

Temco journal bearings SL
Product range

TEMCO

Journal Bearings SL

Types, sizes, surfaces



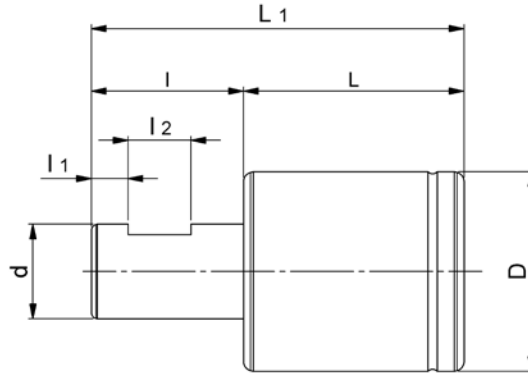
Compact and ready to use

Journal Bearings SL

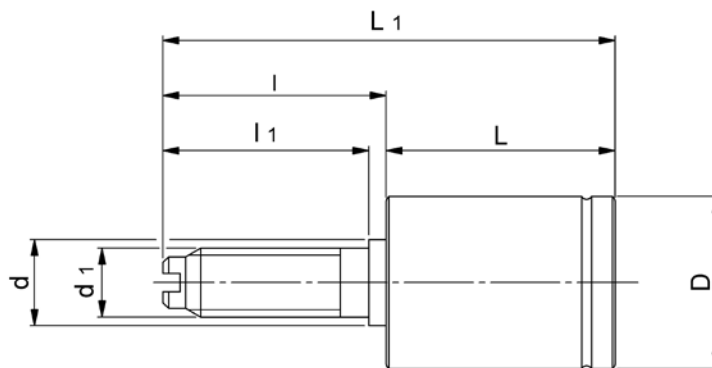
Figures and overview

Product figures

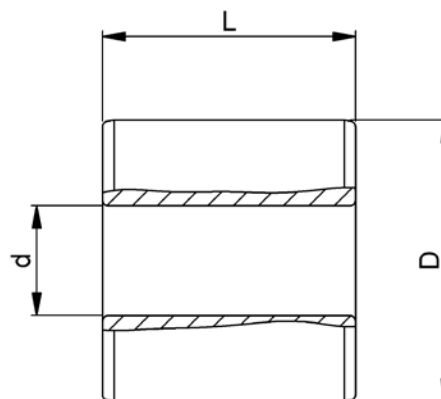
Design 1



Design 2



Design 3



Overview

Type	Design	Dimensions [mm]								Load rating per bearing [kN]		Radial clearance (µm)	
		D	L	L ₁	d	d ₁	l	l ₁	l ₂	C	Co		
SL1009-00	3	10	9.0		3.90						0.64	0.23	2 – 16
SL1116-01	1	11	16.0	24.20	5.40	M3	8.20				0.64	0.23	2 – 13
SL1116-02	1	11	16.0	25.25	5.40		9.25				0.64	0.23	4 – 13
SL1424-01	1	14	24.0	32.50	6.00		8.50				0.98	0.31	2 – 10
SL1514-00.2D ¹	3	15	14.0		4.20						1.90	0.74	2 – 15
SL1520-02.2D ¹	1	15	20.0	39.50	7.50		19.50				1.46	0.74	2 – 13
SL1520-03.2D	1	15	20.0	28.00	7.50		8.00				1.46	0.74	2 – 13
SL1520-07.2D ¹	2	15	20.0	39.50	7.50	M6	18.00	15.5			1.46	0.74	8 – 23
SL1520-08.2D	2	15	20.0	39.00	7.50	M6	16.00	13.5			1.46	0.74	8 – 23
SL1520-15.2D	1	15	20.0	28.00	7.50	M5	8.00	7.0			1.46	0.74	2 – 13
SL1520-24.2D ¹	3	15	20.0	22.00	7.50	∅ 4.2	1.00				1.90	0.74	2 – 13
SL1639-03**	1	15.86	39.0	69.65	7.85		29.15				1.46	0.74	8 – 23
SL1921-00.2D ¹	1	19	21.0	35.50	9.00		14.50				2.78	1.04	2 – 13
SL1921-05.2D ¹	1	19	21.0	39.50	9.00		18.50	4.5	6		2.78	1.04	2 – 13
SL1921-19.2D ¹	1	19	21.0	35.50	9.00		14.50	3.5	6		2.78	1.04	2 – 13
SL1921-20.2D	1	19	21.0	31.50	9.00		10.50	2.0	6		2.78	1.04	2 – 13
SL1922-00.2D	1	19	22.0	34.00	9.00		12.00				2.80	0.91	2 – 13
SL1922-02.2D	1	19	21.9	42.00	9.00		20.10	4.5	6		2.80	1.04	2 – 13
SL1930-01.2D	1	19	29.7	44.95	9.00		15.15				2.80	0.91	4 – 15
SL1943-06	1	19	42.5	73.30	8.00		30.80				1.90	0.71	7 – 17
SL2544-02	1	25.15	44.0	73.80	8.00		29.80				1.90	0.71	5 – 15
SL3028-00	1	30	27.9	43.40	16.00		15.50				10.20	5.10	15 – 25

¹ Acceptance only with minimum quantity

For an exact bearing design please contact us.

Rieter Components Germany GmbH

Temco
Fuldaer Str. 19
97762 Hammelburg
T +49 9732 87 0
info@temco.de

www.temco.de



The data and illustrations in this brochure and on the corresponding data carrier refer to the date of printing. Temco reserves the right to make any necessary changes at any time and without special notice. Temco systems and Temco innovations are protected by patents.

3505-v1 en 2207