

Spindle Brakes



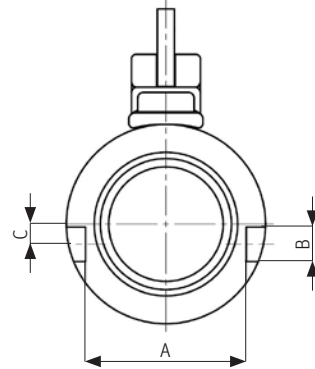
Accessories designed and produced directly by spindle manufacturer

Spindle Brakes

Accessories for precise and sustainable running of spindles

Original accessories and spindle components are crucial in order to secure optimal running performance of the spindles and their longevity.

Novibra offers two types of spindle brakes: a universal U model and a R model, based on Rieter design. It is available with or without braking shoes.



	Braking diameters	Fixing dimensions		
U model	28 mm, 24 mm	A = 28 mm	B = 6 mm	C = 3.5 mm
R model	32 mm, 28 mm, 24 mm	A = 24.5 mm	B = 6 mm	C = 6 mm

OUTSTANDING ADVANTAGES

Short braking time

The perfect fit between the spindle and the spindle brake ensures the shortest braking time and thus, higher productivity.

Reliable

Optimized material composition to improve reliability and durability of the brake

Flexible

The replaceable braking shoes can easily be changed to fit a different diameter.

Easy installation

Specifically designed for Novibra spindles, the brakes are perfectly matching and easy to install.



1. R28 spindle brake with braking shoes
2. U28 spindle brake with braking shoes
3. R32 spindle brake

Novibra Boskovice s.r.o.
Hrádkov 2188
68001 Boskovice
Czech Republic
T +420 51 652 81 89
F +420 51 652 81 88
sales@novibra.com

The data and illustrations in this brochure and on the corresponding data carrier refer to the date of printing. Novibra reserves the right to make any necessary changes at any time and without special notice. Novibra systems and Novibra innovations are protected by patents.

3541-v1 en 2304

www.novibra.com